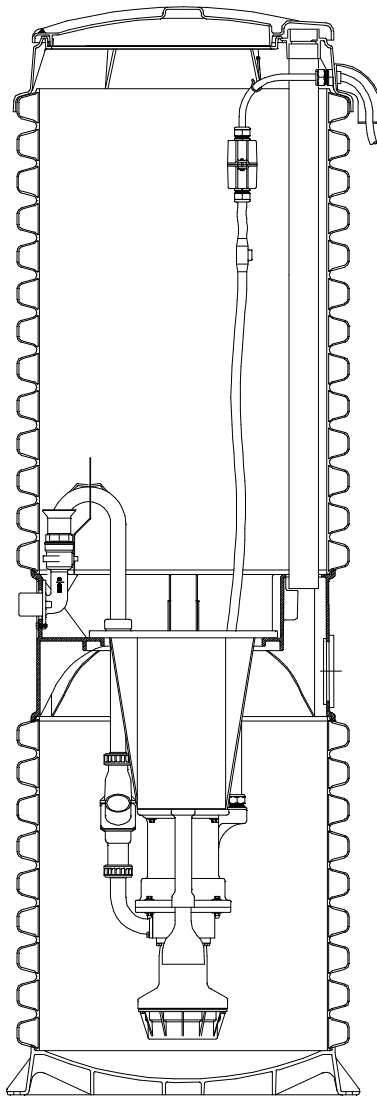


GP2010



Patent Numbers: 5,752,315
5,562,254 5,439,180

* Discharge data includes loss through check valve, which is minimal.

PA1346P01 Rev. D, 1/02

General Applications

The size, efficiency and operating economy of the GP 2010 make it your best choice for single dwellings, waterfront property, subdivision developments and marinas. The GP 2010 is ideally suited for both new and existing communities.

General Features

The GP 2010 Grinder Pump is a complete unit that includes: the grinder pump, check valve, HDPE (high density polyethylene) tank and controls. The GP 2010 is packaged into a single complete unit, ready for installation.

All solids are ground into fine particles, allowing them to pass easily through the pump, check valve and small diameter pipelines. Even objects not normally found in sewage, such as plastic, rubber, fiber, wood, etc., are ground into fine particles.

The 1 1/4-inch discharge connection is adaptable to any piping materials, thereby allowing us to meet your local code requirements.

The tank is made of tough corrosion-resistant HDPE. The optimum tank capacity of 70 gallons is based on computer studies of water usage patterns. A single GP 2010 is ideal for one, average single-family home and can also be used for up to two average single-family homes where codes allow and with consent of the factory. This model can accommodate flows of 700 GPD.

The internal check valve assembly, located in the grinder pump, is custom-designed for non-clog, trouble-free operation.

The grinder pump is automatically activated and runs infrequently for very short periods. The annual energy consumption is typically that of a 40-watt light bulb.

Units are available for indoor and outdoor installations. Outdoor units are designed to accommodate a wide range of burial depths.

Operational Information

Motor

1 hp, 1,725 rpm, high torque, capacitor start, thermally protected, 120/240V, 60 Hz, 1 phase

Inlet Connections

4-inch inlet grommet standard for DWV pipe. Other inlet configurations available from the factory.

Discharge Connections

Pump discharge terminates in 1 1/4-inch NPT female thread. Can easily be adapted to 1 1/4-inch PVC pipe or any other material required by local codes.

Discharge*

15 gpm at 0 psig

11 gpm at 40 psig

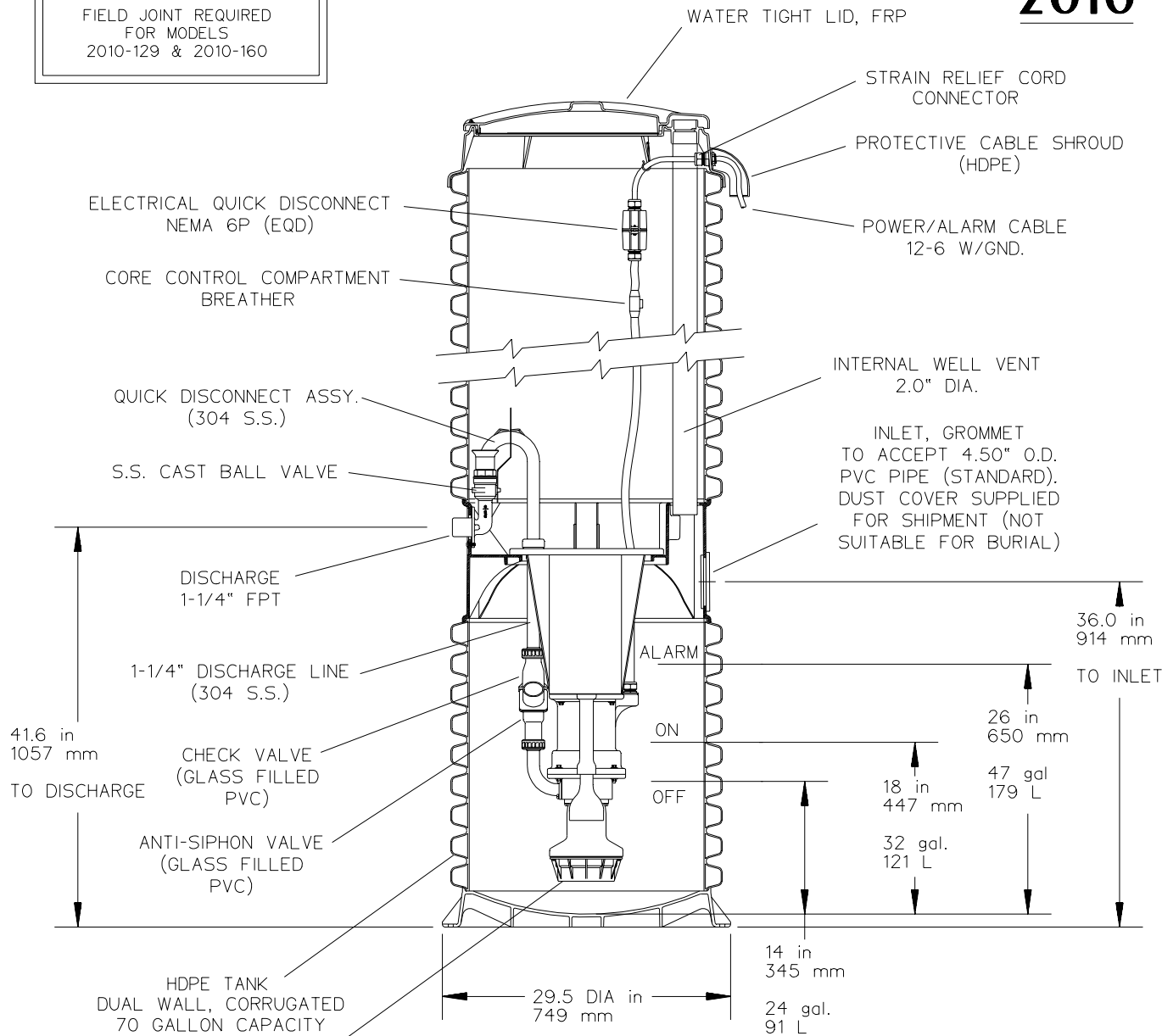
9 gpm at 60 psig

Overload Capacity

The maximum pressure that the pump can generate is limited by the motor characteristics. The motor generates a pressure well below the rating of the piping and appurtenances. The automatic reset feature does not require manual operation following overload.

2010

FIELD JOINT REQUIRED
FOR MODELS
2010-129 & 2010-160



SEMI-POSITIVE DISPLACEMENT TYPE PUMP
DIRECTLY DRIVEN BY A 1 HP MOTOR
CAPABLE OF DELIVERING 9 gpm AT 138' T.D.H.
(34 lpm AT 42m T.D.H.)



SGS	CAH	01/10/02	H	1/16
DR BY	CHK'D	DATE	ISSUE	SCALE



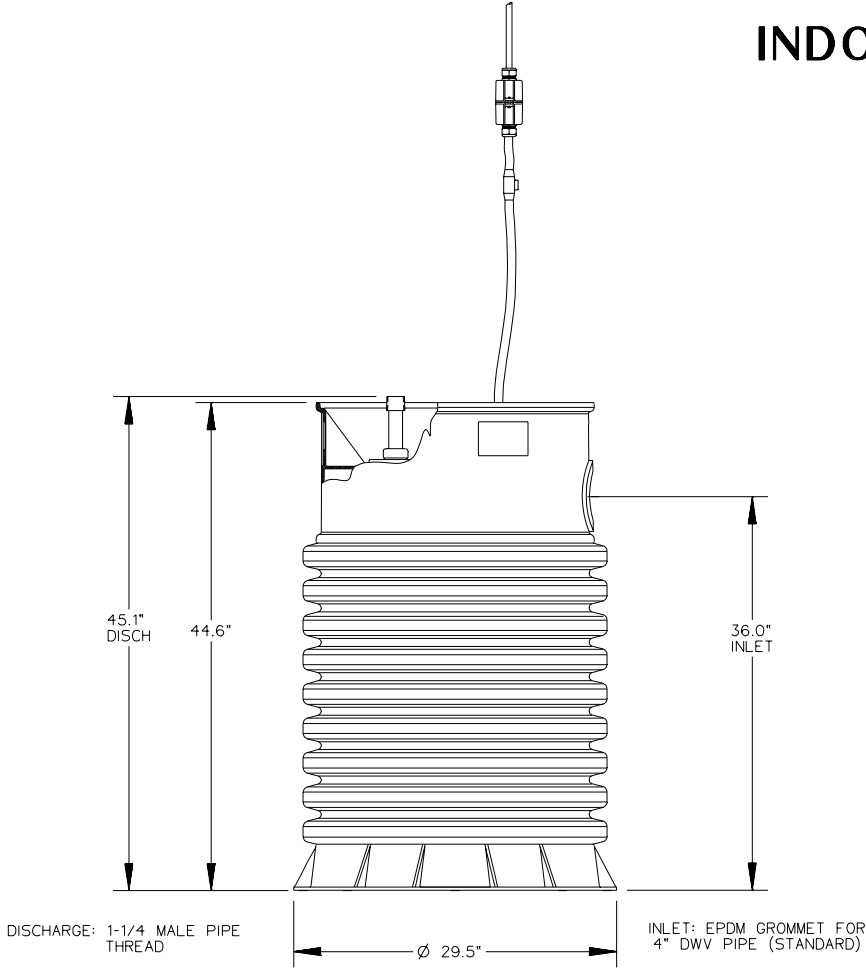
MODEL 2010, DETAIL SHEET

PA0908P01

BALLAST REQUIREMENTS

A CONCRETE ANCHOR IS REQUIRED
ON ALL OUTDOOR MODEL 2010 STATIONS
SPECIFIC CONCRETE DIMENSIONS ARE REQUIRED
TO ACHIEVE NECESSARY BALLAST EFFECT
SEE INSTALLATION INSTRUCTIONS FOR FURTHER DETAILS

2010-44 INDOOR UNIT



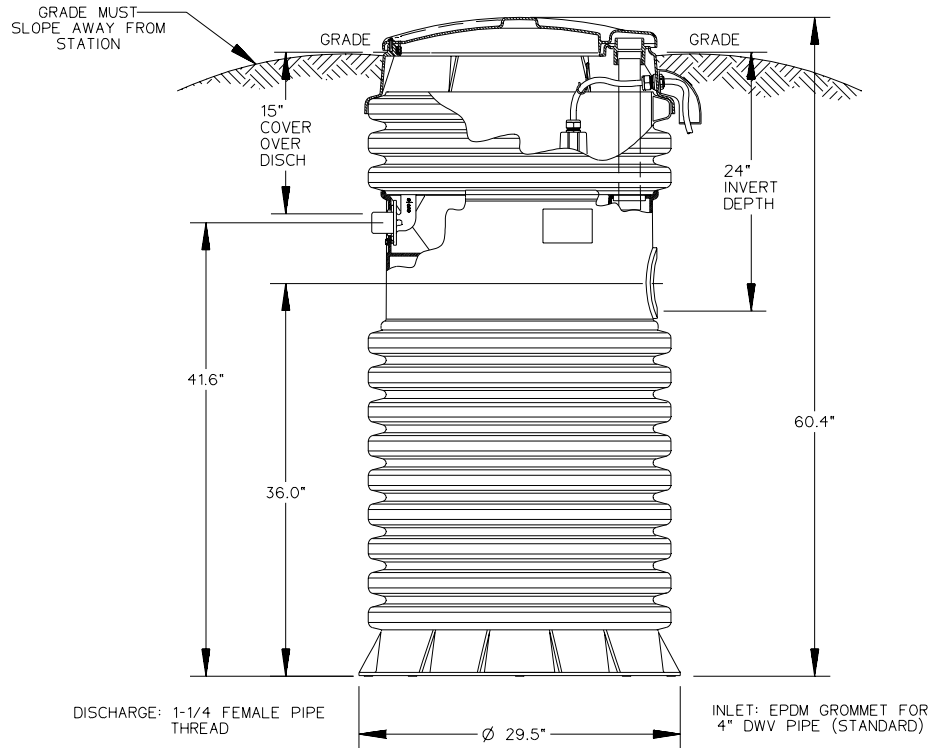
SGS	CAH	5/31/01	B	1/16
DR BY	CHK'D	DATE	ISSUE	SCALE



MODEL 2010-44

PA0856P10

2010-61



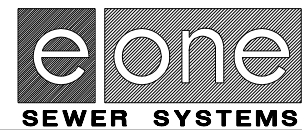
SGS	CAH	01/10/02	C	1/16
DR BY	CHK'D	DATE	ISSUE	SCALE

BALLAST REQUIREMENTS

A CONCRETE ANCHOR IS REQUIRED ON ALL MODEL 2010-61 STATIONS

SPECIFIC CONCRETE DIMENSIONS ARE REQUIRED TO ACHIEVE NECESSARY BALLAST EFFECT

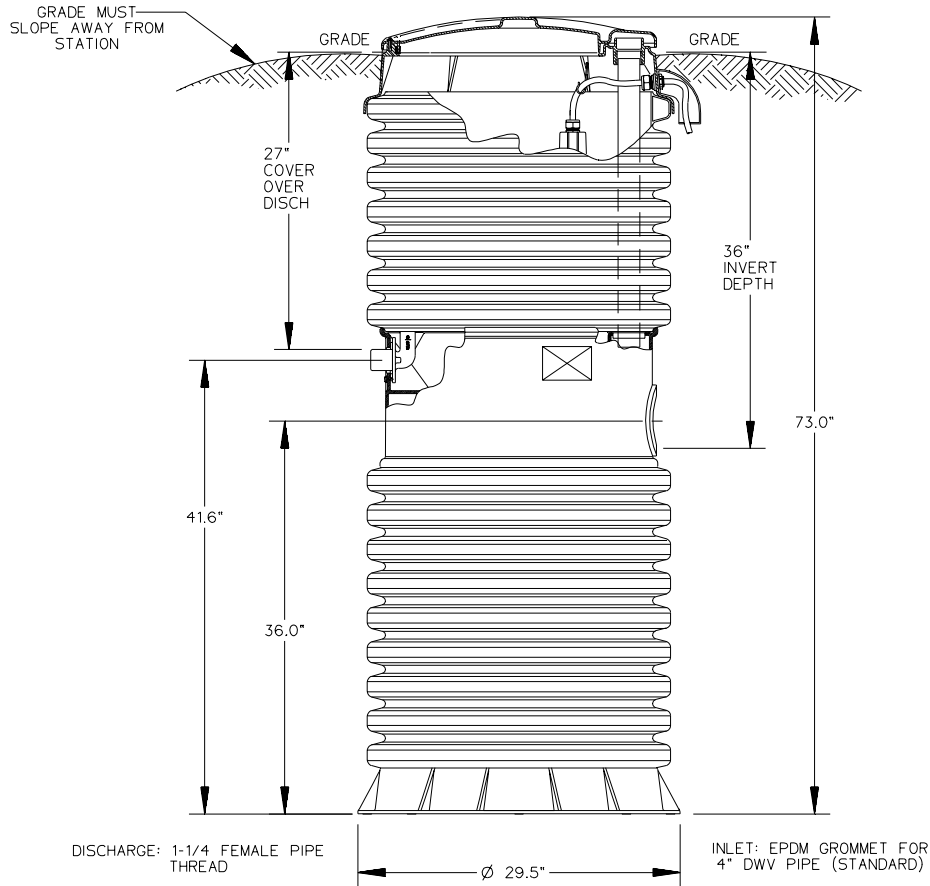
SEE INSTALLATION INSTRUCTIONS FOR FURTHER DETAILS



MODEL 2010-61

PA0856P02

2010-74



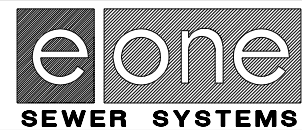
SGS	CAH	01/10/02	C	1/16
DR BY	CHK'D	DATE	ISSUE	SCALE

BALLAST REQUIREMENTS

A CONCRETE ANCHOR IS REQUIRED ON ALL MODEL 2010-74 STATIONS

SPECIFIC CONCRETE DIMENSIONS ARE REQUIRED TO ACHIEVE NECESSARY BALLAST EFFECT

SEE INSTALLATION INSTRUCTIONS FOR FURTHER DETAILS

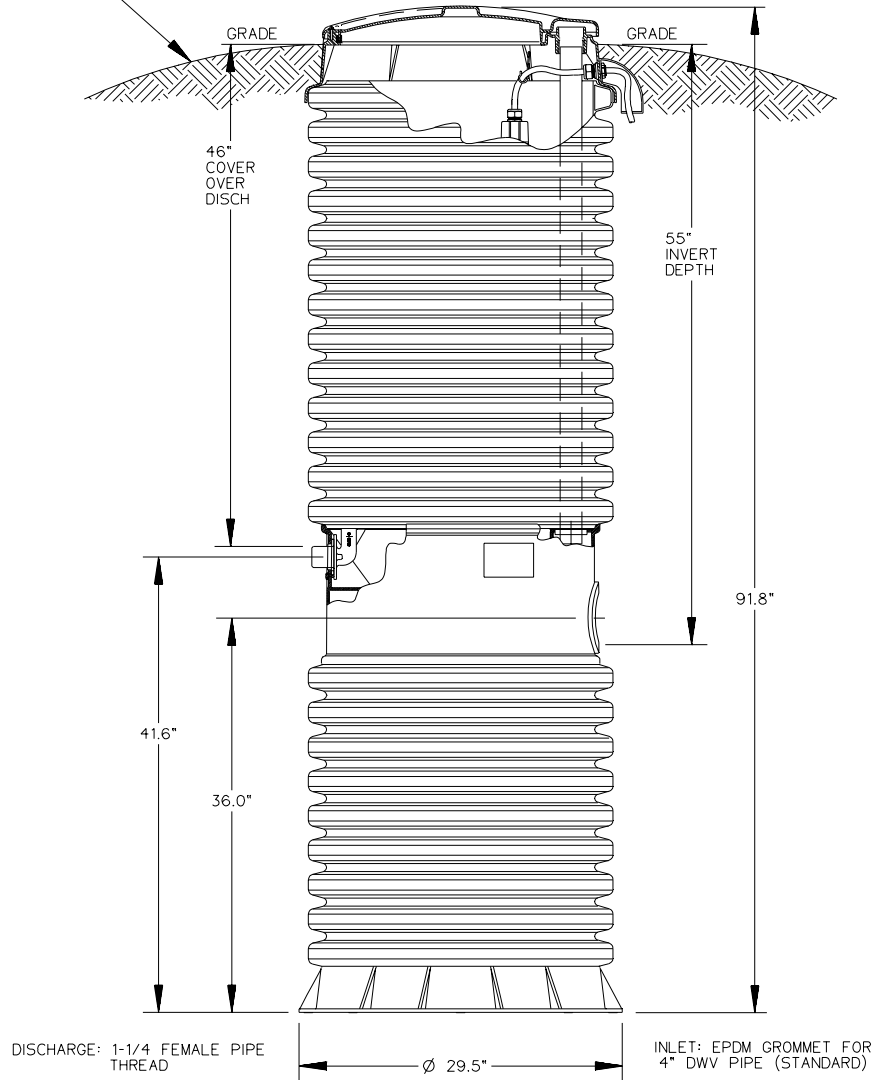


MODEL 2010-74

PA0856P03

2010-93

GRADE MUST SLOPE AWAY FROM STATION



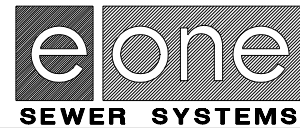
SGS	CAH	01/10/02	C	1/16
DR BY	CHK'D	DATE	ISSUE	SCALE

BALLAST REQUIREMENTS

A CONCRETE ANCHOR IS REQUIRED ON ALL MODEL 2010-93 STATIONS

SPECIFIC CONCRETE DIMENSIONS ARE REQUIRED TO ACHIEVE NECESSARY BALLAST EFFECT

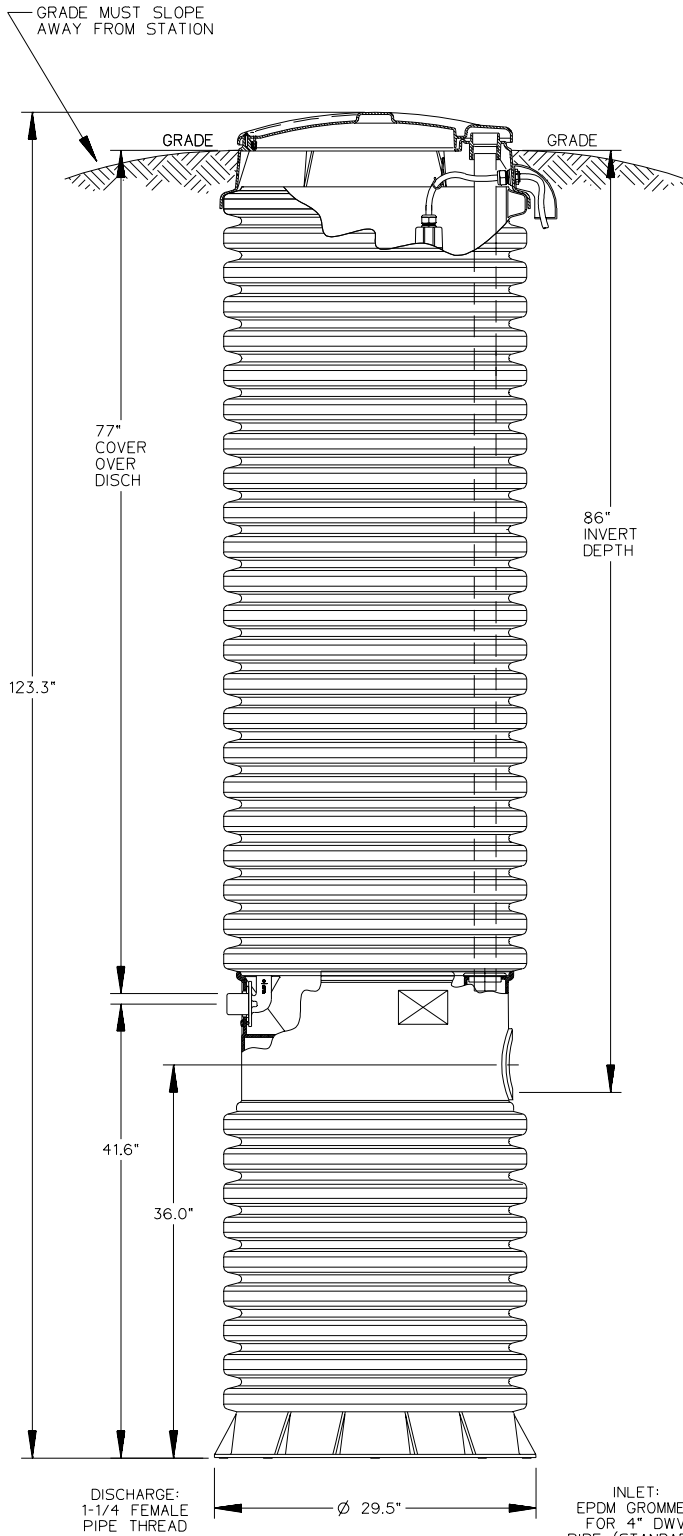
SEE INSTALLATION INSTRUCTIONS FOR FURTHER DETAILS



MODEL 2010-93

PA0856P04

2010-124



BALLAST REQUIREMENTS

A CONCRETE ANCHOR IS REQUIRED ON ALL MODEL 2010-124 STATIONS

SPECIFIC CONCRETE DIMENSIONS ARE REQUIRED TO ACHIEVE NECESSARY BALLAST EFFECT

SEE INSTALLATION INSTRUCTIONS FOR FURTHER DETAILS



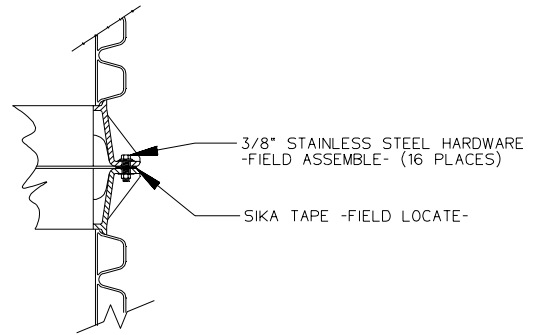
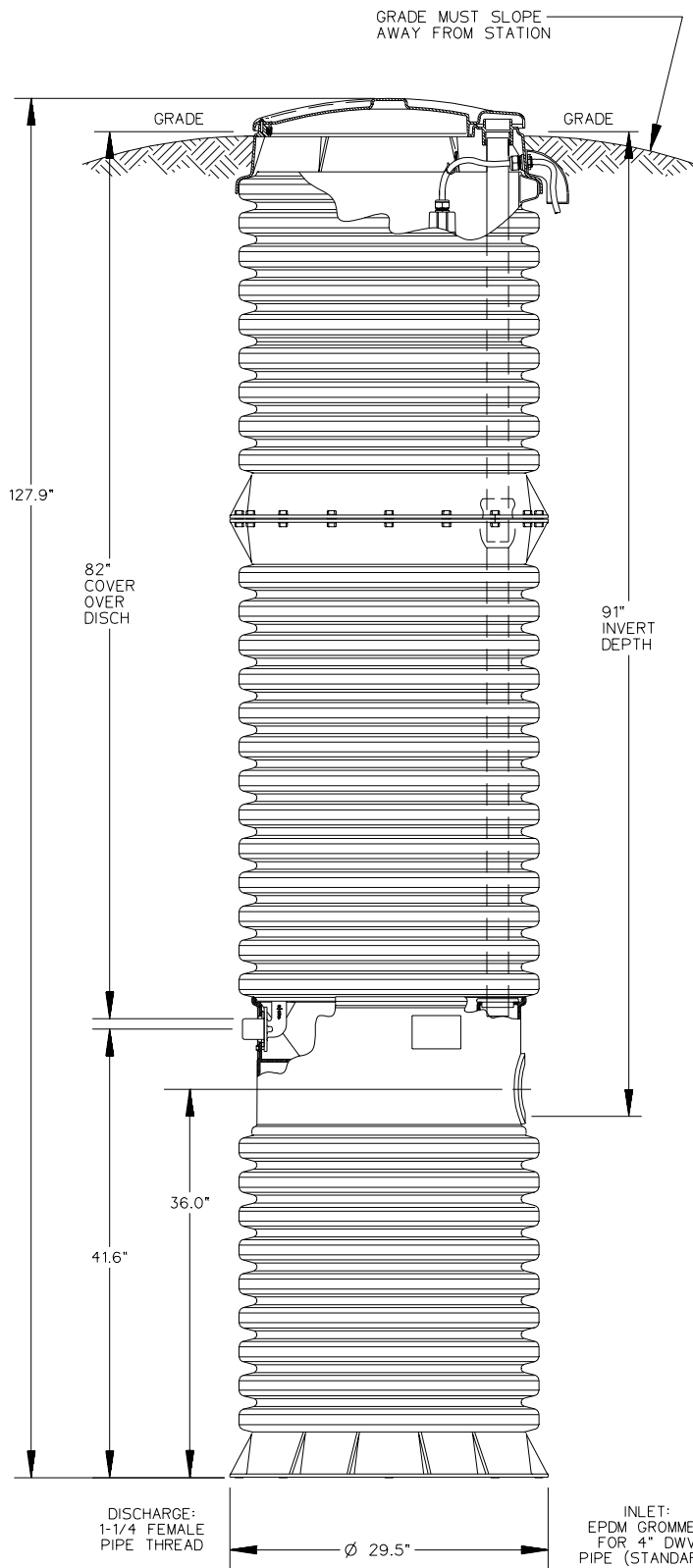
SGS	CAH	01/10/02	C	1/16
DR BY	CHK'D	DATE	ISSUE	SCALE



MODEL 2010-124

PA0856P06

2010-129



DETAIL, FIELD JOINT

SEE INSTALLATION INSTRUCTIONS FOR FURTHER DETAILS

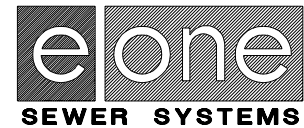
BALLAST REQUIREMENTS

A CONCRETE ANCHOR IS REQUIRED ON ALL MODEL 2010-129 STATIONS

SPECIFIC CONCRETE DIMENSIONS ARE REQUIRED TO ACHIEVE NECESSARY BALLAST EFFECT
SEE INSTALLATION INSTRUCTIONS FOR FURTHER DETAILS



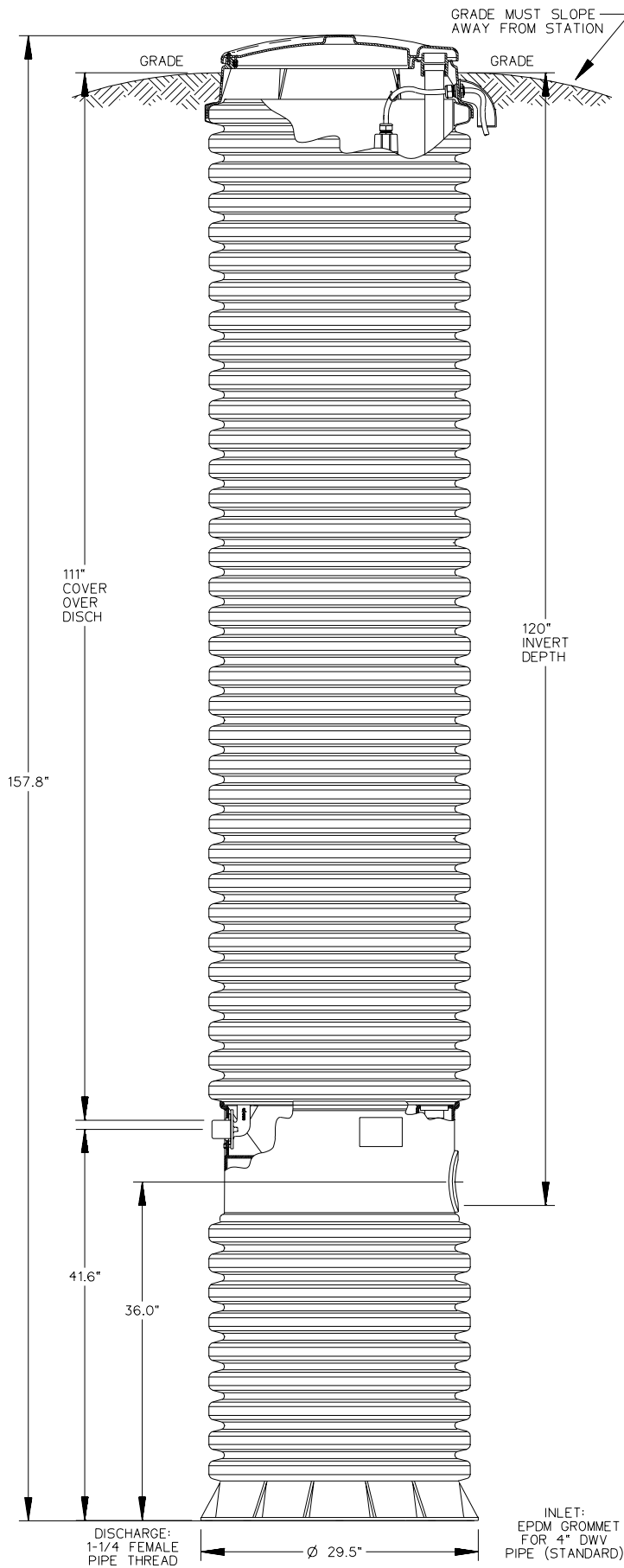
SGS	CAH	01/10/02	C	1/16
DR BY	CHK'D	DATE	ISSUE	SCALE



MODEL 2010-129

PA0856P07

2010-158



BALLAST REQUIREMENTS

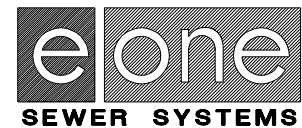
A CONCRETE ANCHOR IS REQUIRED ON ALL MODEL 2010-158 STATIONS

SPECIFIC CONCRETE DIMENSIONS ARE REQUIRED TO ACHIEVE NECESSARY BALLAST EFFECT

SEE INSTALLATION INSTRUCTIONS FOR FURTHER DETAILS



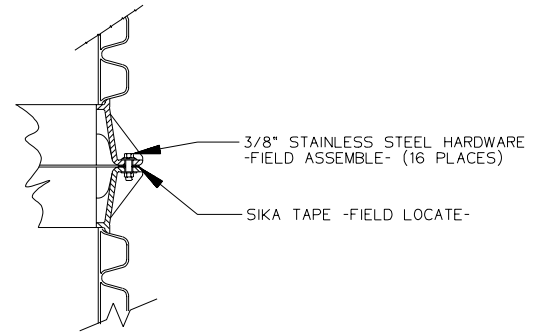
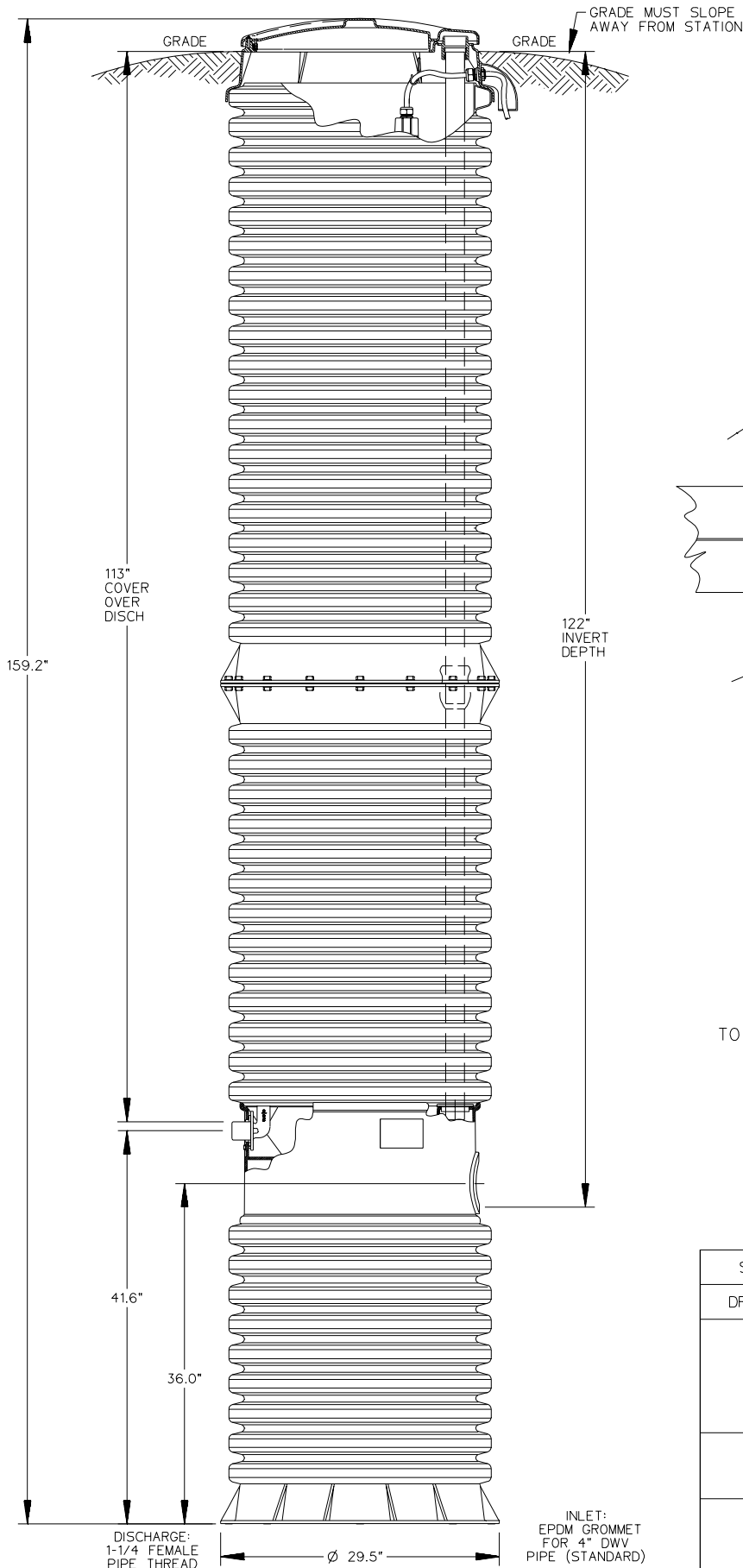
SGS	CAH	01/10/02	C	1/16
DR BY	CHK'D	DATE	ISSUE	SCALE



MODEL 2010-158

PA0856P08

2010-160



DETAIL, FIELD JOINT

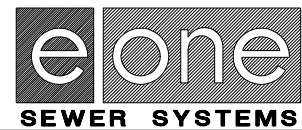
SEE INSTALLATION INSTRUCTIONS FOR FURTHER DETAILS

BALLAST REQUIREMENTS

A CONCRETE ANCHOR IS REQUIRED ON ALL MODEL 2010-160 STATIONS
 SPECIFIC CONCRETE DIMENSIONS ARE REQUIRED TO ACHIEVE NECESSARY BALLAST EFFECT
 SEE INSTALLATION INSTRUCTIONS FOR FURTHER DETAILS



SG	CAH	01/10/02	C	1/16
DR BY	CHK'D	DATE	ISSUE	SCALE

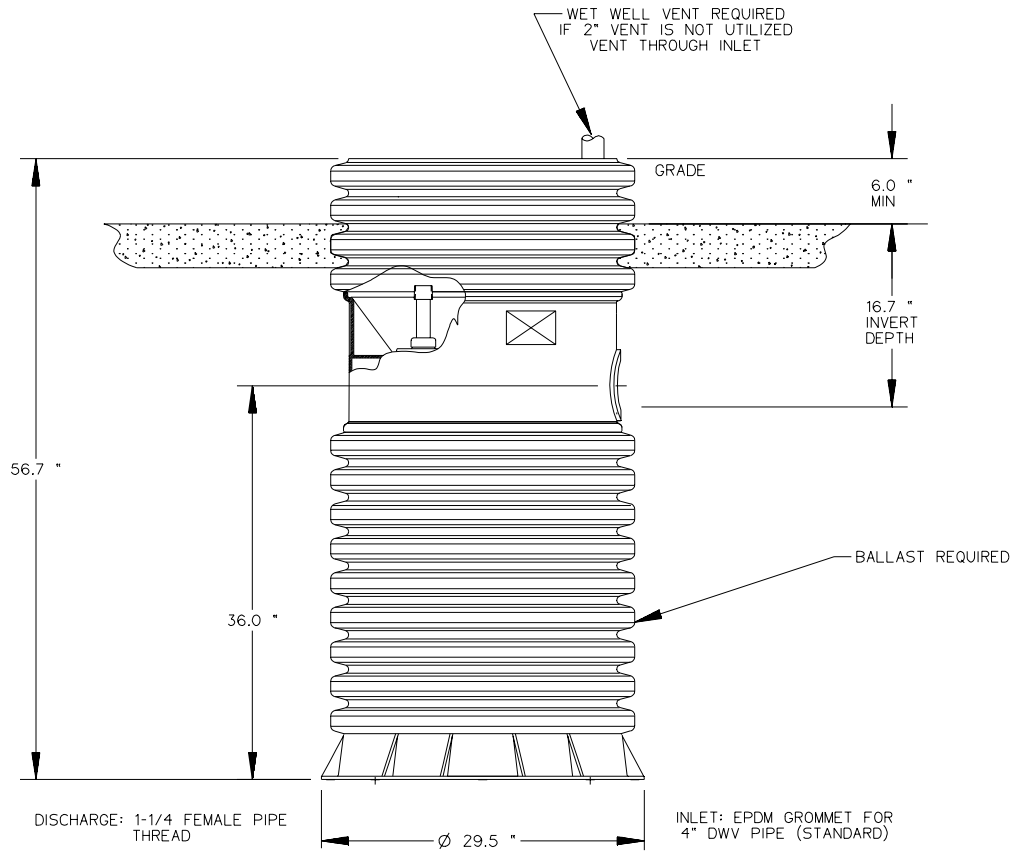


MODEL 2010-160

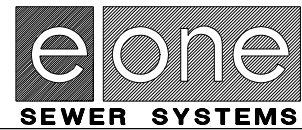
PA0856P09

MODEL 2010-57 BUILDERS

STRAIGHT DISCHARGE



SG	GAE	08/23/96	-	1/16
DR BY	CHK'D	DATE	ISSUE	SCALE

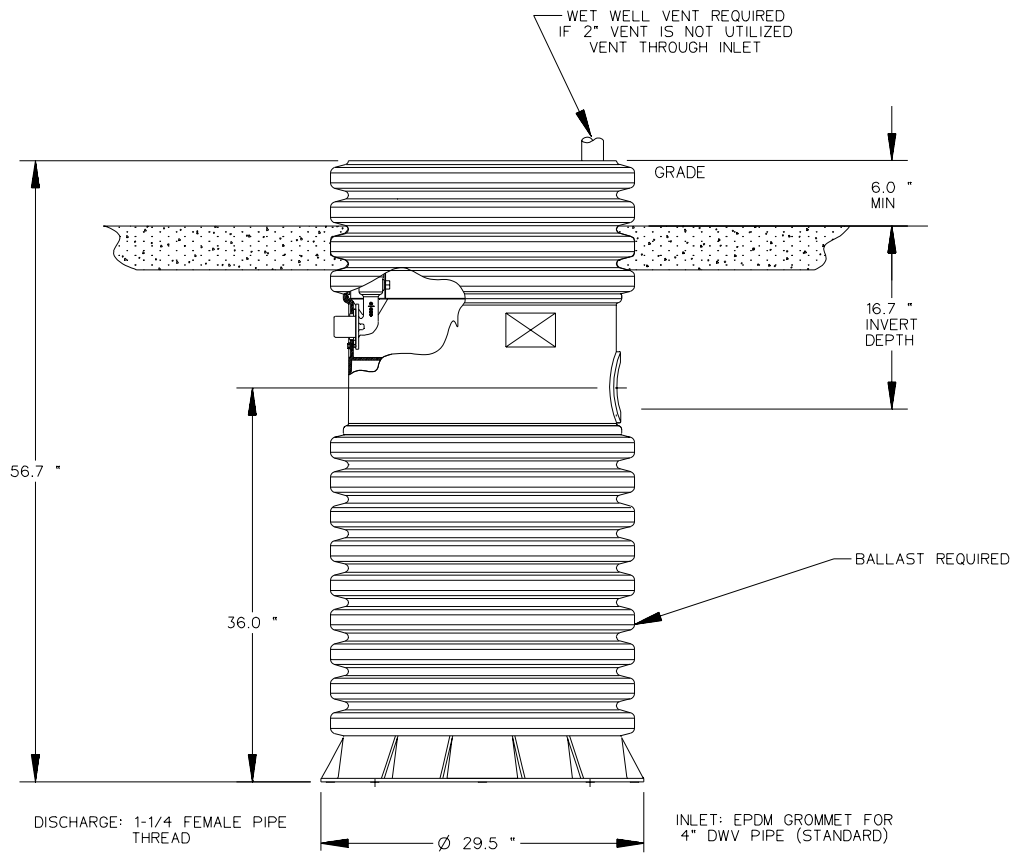


**MODEL 2010-57
BUILDERS**

EWN 95-0061

MODEL 2010 -57 BUILDERS

DISCHARGE VALVE



SG	GAE	08/23/96	-	1/16
DR BY	CHK'D	DATE	ISSUE	SCALE



SEWER SYSTEMS

**MODEL 2010 -57
BUILDERS**

EWN 95-0064